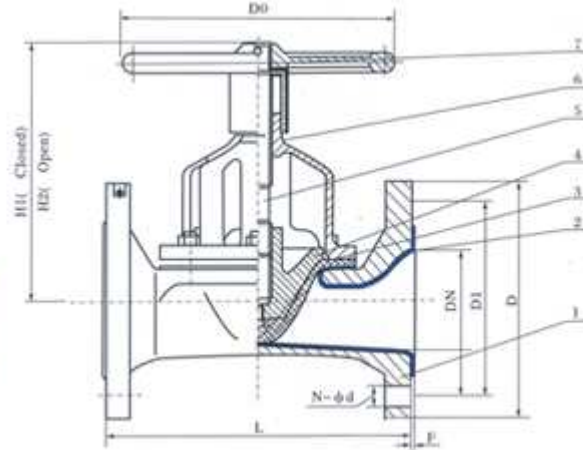




THROUGH CONDUIT RUBBER LINED DIAPHRAGM VALVE



Features:

Through Conduit Rubber Lined Diaphragm Valve

Technical specification

Design & Manufacture: BS 5156-85, MSS SP-88, GB 12239-89

Face to Face Dimension: BS 5156-85, ANSI B16.10, GB 12221-85, DIN 3202

Flanged Dimension: BS 5156-85, ANSI B16.5, EN 1092, GB/T 17421-98

Inspect & Test: BS 5156, MSS SP-82, GB/T 13927

Operation: Handwheel, Pneumatic, Electric

Pressure Rating: PN6, PN10, PN16, ANSI 125, ANSI 150

Main Material

Body / Bonnet: Cast Iron, Ductile Iron, Cast Steel, Stainless Steel & Duplex

Lining (Optional): Fluorine -- PTFE, FEP, PCTFE, PVDF, TFE, PFA, RPP, PO

Rubber -- NR, BR, IIR, CR, EPDM, CSPE, FKM, SI

Diaphragm: Rubber

Compressor / Disc: Cast Iron, Ductile Iron, Cast Steel, Stainless Steel

Stem: Carbon Steel & Stainless Steel

Handwheel: Iron & Steel

Main Dimensions

unit:mm



Nominal DN		Nominal pressure	Working pressure	L	D	D1	N-d	F	H1	H2	D0	Weight kg
mm	inch											
15	1/2	1.0Mpa	1.0Mpa	108	95	65	4-14	2	90	99	66	2
20	3/4			117	105	75	4-14	2	93	103	66	3
25	1			127	115	85	4-14	2	100	112	66	4
32	1-1/4			146	140	100	4-18	2	127	144	96	6.5
40	1-1/2			159	150	110	4-18	2	136	156	96	7.5
50	2			190	165	125	4-18	2	151	177	96	10
65	2-1/2			216	185	145	4-18	2	183	213	165	16
80	3			254	200	160	8-18	2	190	230	230	23.5
100	4			305	220	180	8-18	2	242	285	280	34
125	5		0.6Mpa	356	250	210	8-18	3	285	348	280	44
150	6			406	285	240	8-22	3	353	431	368	67.5
200	8			521	340	295	8-22	3	445	537	483	141.5
250	10		0.4Mpa	635	395	350	12-22	5	598	734	500	229
300	12			749	445	400	12-22	5	689	778	560	321
350	14	787		505	460	16-22	5	723	883	560	360	
400	16	0.25Mpa	914	565	515	16-26	5	868	1078	640	584	